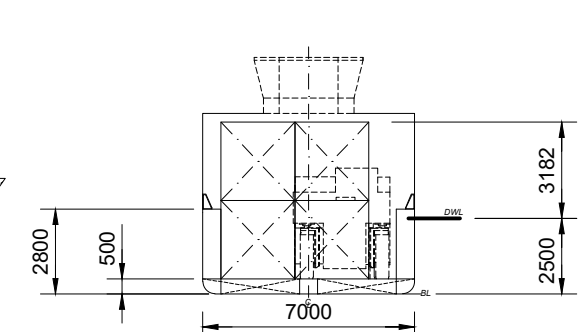
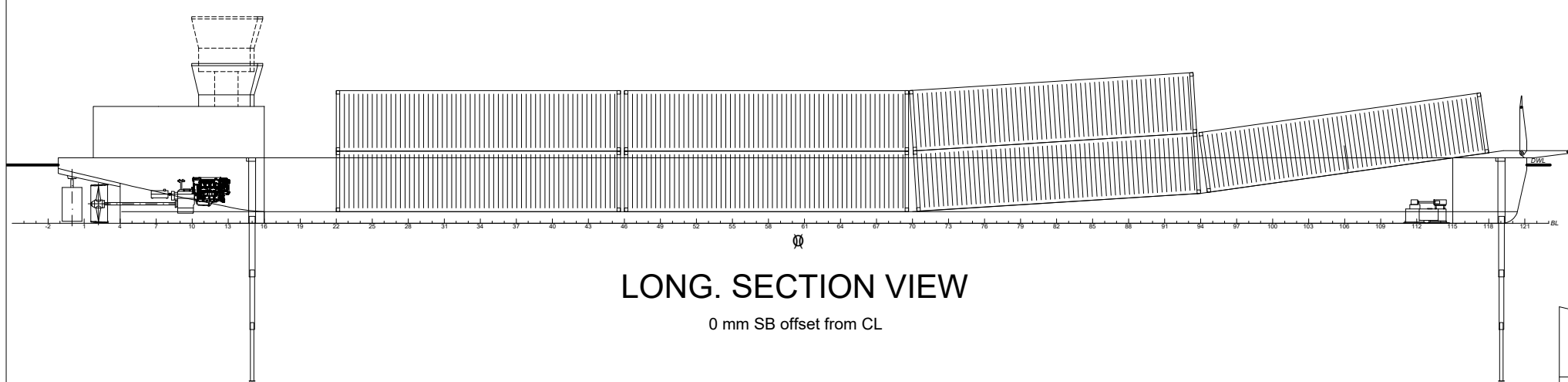


SIDE VIEW



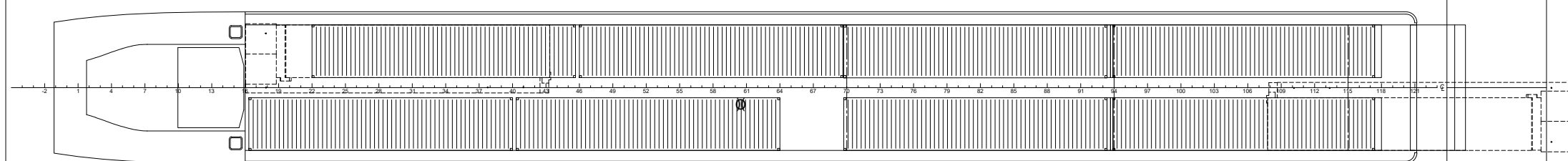
CROSS-SECTION

FR. #57



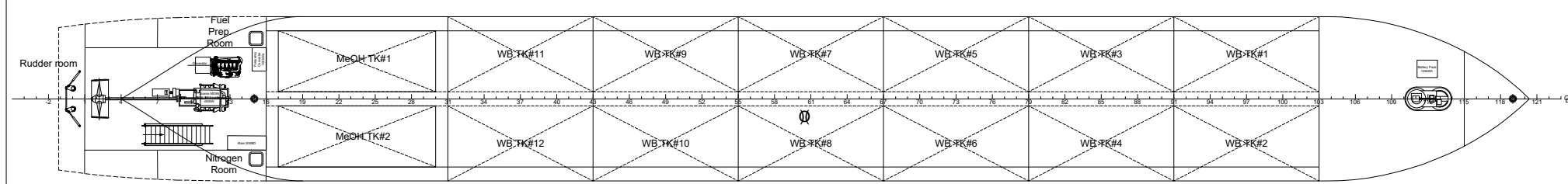
LONG. SECTION VIEW

0 mm SB offset from CL



MAIN DECK

2800 mm ABL



TANK TOP

500 mm ABL

MAIN PARTICULARS

| | | |
|-----------------|--------|-----|
| LENGTH OVER ALL | 63.000 | M |
| BREATH | 7.000 | M |
| DRAFT | 2.500 | M |
| DEPTH | 2.800 | M |
| DEADWEIGHT | 697 | T |
| CARGO CAPACITY | 28 | TEU |

| | | | |
|---|---|---------------------|------------|
| <p>Adolf Edelsvärdsgata 11 7 414 41 Göteborg Sweden Phone: +46 31 694361 e-mail: info@scandinaios.com web site: www.scandinaios.com</p> | <p>Existing the projects ScandiNAOS AB right of possession of this drawing, the drawing must not be published, copied, reproduced, manufactured or supplied in any other way without the permission of ScandiNAOS AB.</p> | Project number | SNP16105 |
| | | OWNER | - |
| PREP. BY | Yu-Sheng Lee | DATE | 2020-04-07 |
| CHECK. BY | | DATE | |
| SCALE | 1:250 | Size | A3 |
| DRW. N° | | SHLS | 1 of - |
| <p>NOVIMAR Class III small container ro-ro vessel GENERAL ARRANGEMENT</p> | | <p>SNP16105-001</p> | |